

R&R IM155 7“ Videomonitor

Frontplatte und Gehäuse H x B x T	Aluminium natur eloxiert ~ 200 x 120 x 45 mm ohne Stecker
Display Auflösung RGB	480 x 234 Streifenmaske
Auflösung Punkte aktive Displayfläche	1440 x 234 154,08 x 87,048 mm
Pixelgröße (B x H)	0.3210 x 0.3720

Pixelfehler

(B) Spot Defect Inspection Standards and Criteria.

White spots inspection criteria

Include below with the common inspection condition

- Luminance: 200~ 250 [lx]
- Distance: 45~ 50 [cm] (Perpendicular from panel surface)
- Time: 5 [S] (After ND filter has been placed)
- Surface Brightness: 300~ 320 [cd/m²]

Standard

Type	Acceptable No.	Criteria
Level 1 White Spots	0	Visible through 0.3%ND filter
Level 1-2 White Spots	3	Visible through 1.0%ND filter, and not visible through 0.3%ND filter
Level 1-3 White Spots	5	Visible through 2.5%ND filter, and not visible through 1.0%ND filter
Black spots	6	Any visible black spots on Vsig=1V(All white cluster)
Total	7	Total white and black spots in level 1-3

Any spots that are not visible through 2.5% ND filters and not within level 1-3 is disregarded.

- Density:

Only up to 2(white or black) are allowed for diameter within 10mm.

If it is continuous, then continuous spot is applied.

- Continuous spot :

Any spot that continues for more than 3 pixels is not acceptable.

For 2 continuous white spots, treat as one spot for the table above.

For 2 continuous black spots, treat as two spots for the table above.

For 2 continuous white and black spot, treat as one each.

- White & black spot:

If the pixel holds both white and black spot (level 1-3), treat as white spot for the table above.

- Foreign Substance(within Cell):

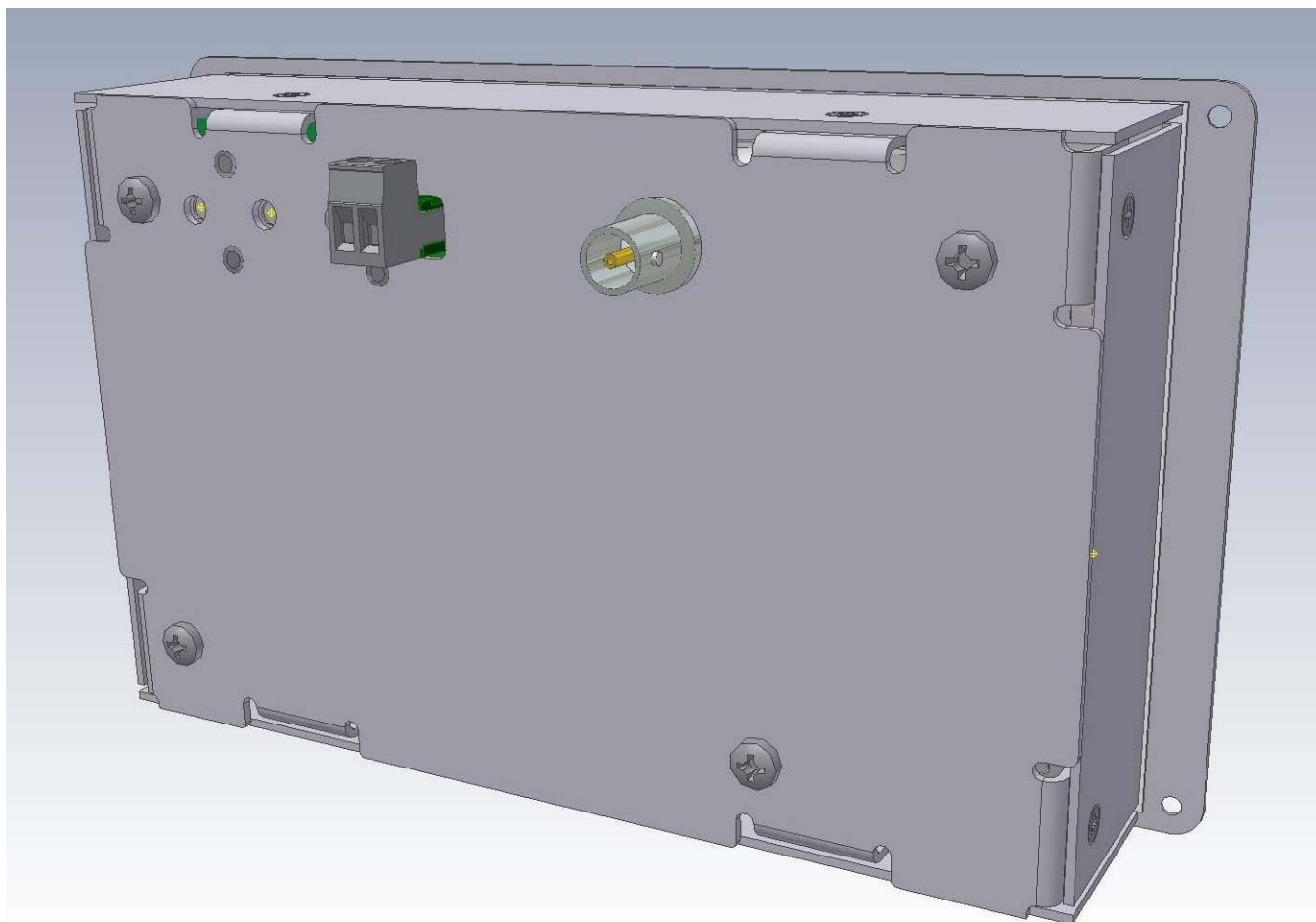
Foreign substance shall not be more than 3-pixel size.

If the size of substance is 2 to 3-pixel, then count as 2 in acceptable value.

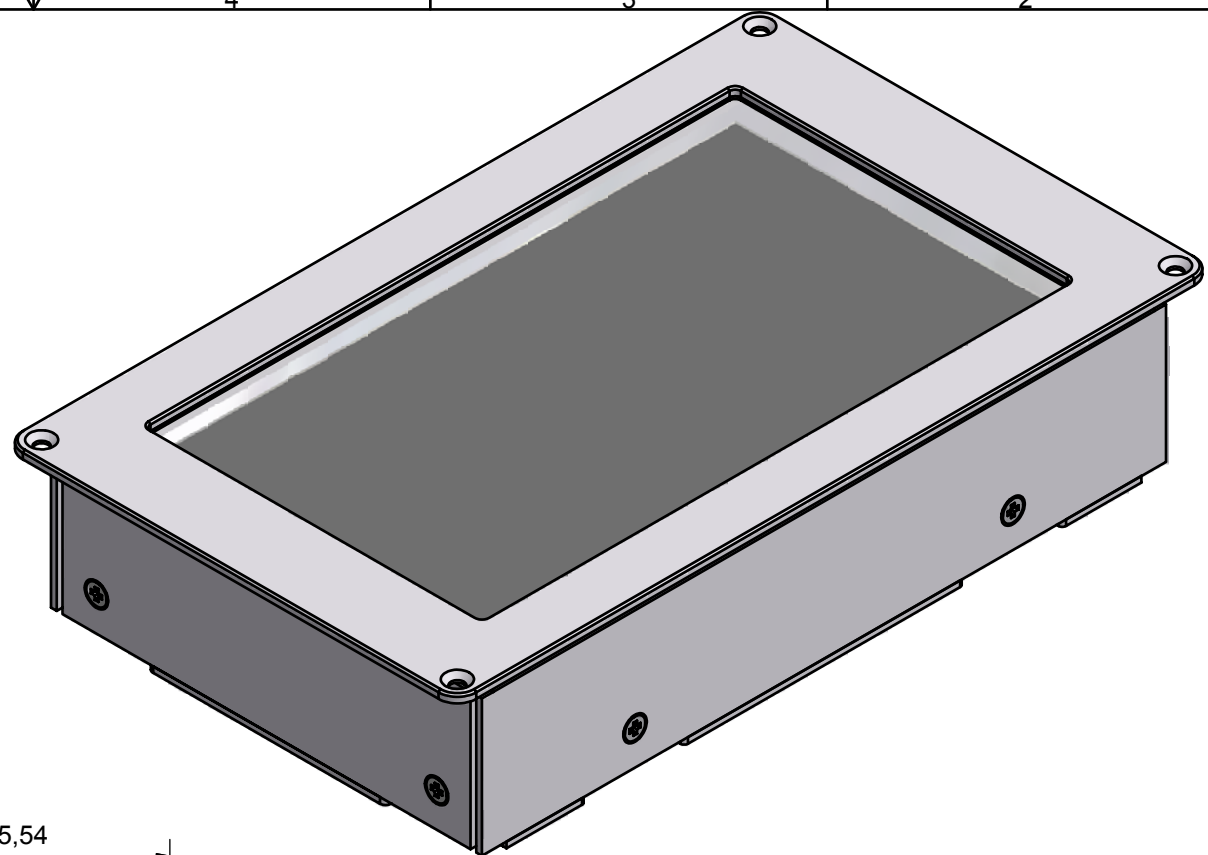
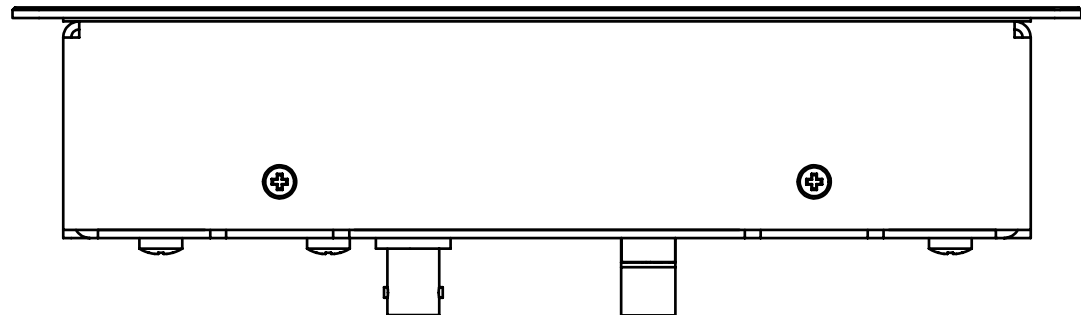
If the size of substance is 1 to 2-pixel, then count as 2 in acceptable value.

If the size of substance is smaller than 1 pixel, then disregard.

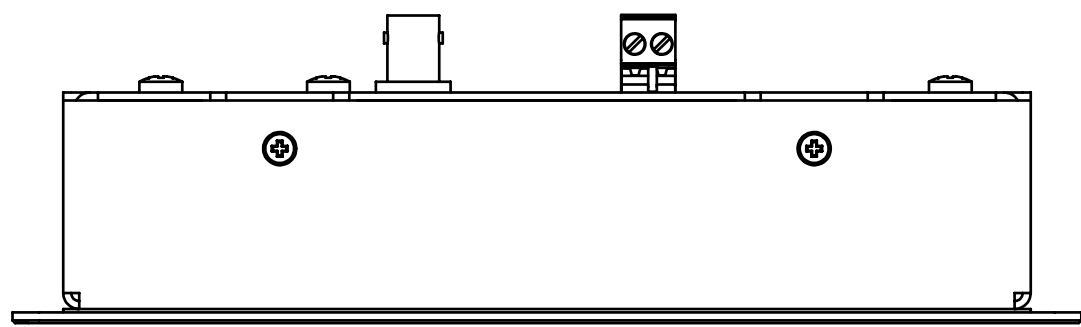
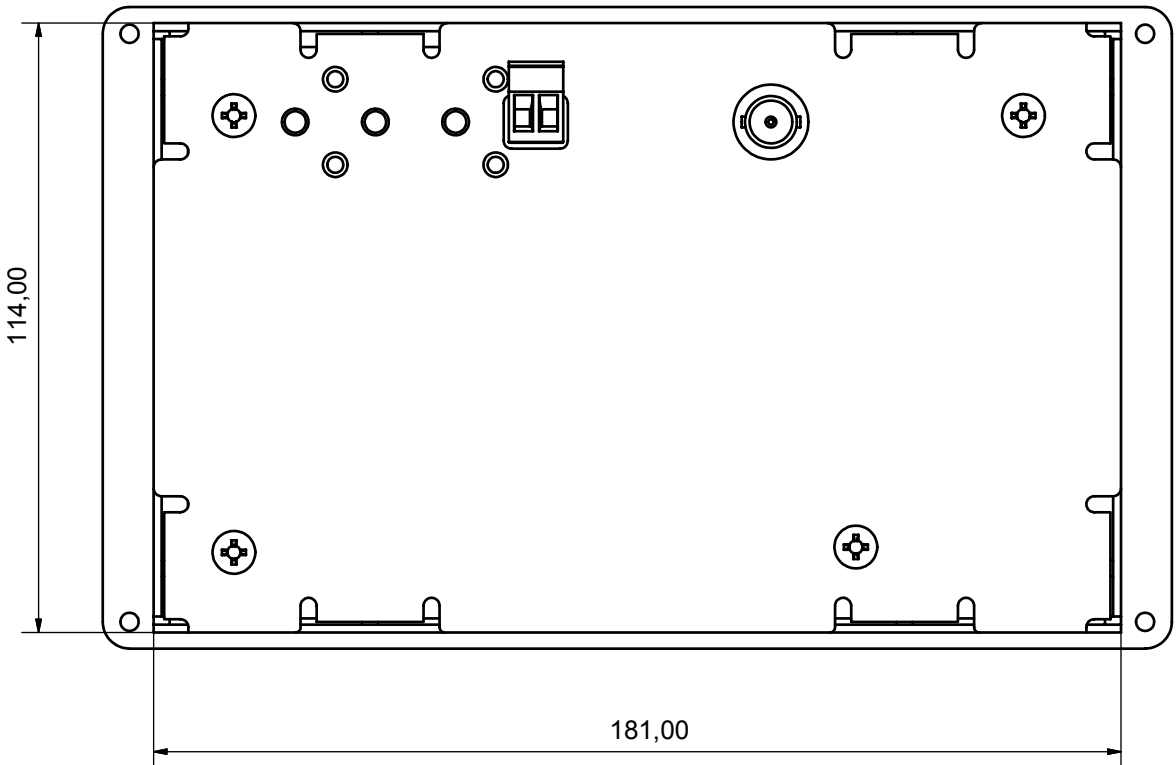
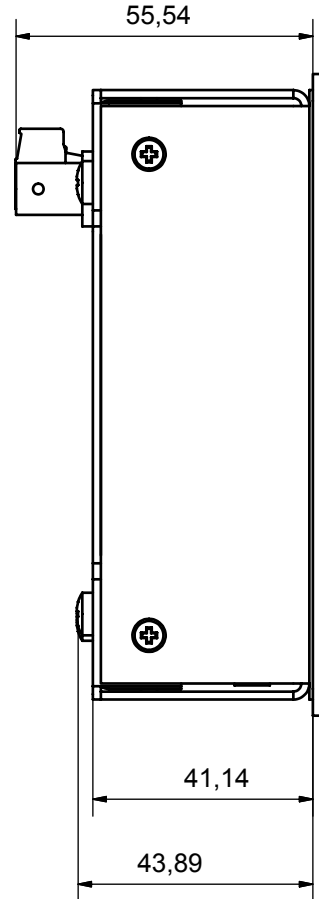
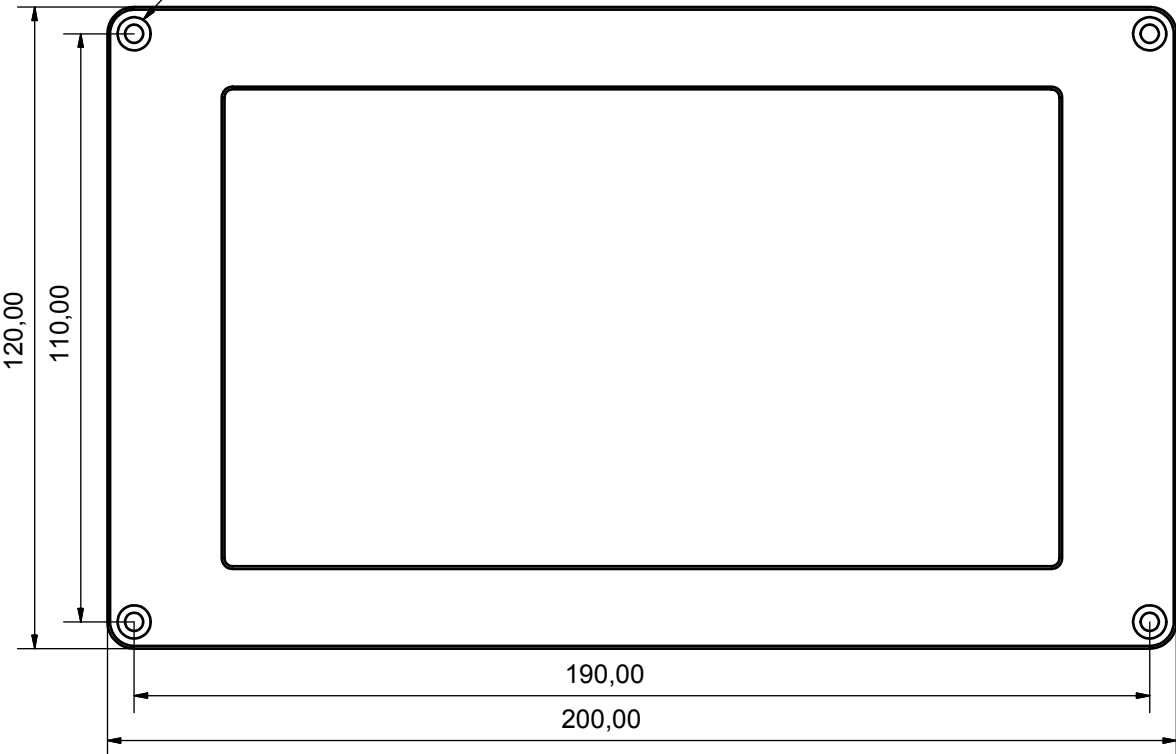
Sichtwinkel	horizontal + / - 60 Grad vertikal +30 / - 60 Grad
Kontrast	150 : 1 typ.
Schutzscheibe	entspiegeltes Einscheibensicherheitsglas
Hintergrundbeleuchtung	400 cd/qm
Lebensdauer	20.000 h



Stromversorgung	+12 V (+8 bis 16V) DC steckbare Schraubklemme
Leistungsaufnahme	ca. 6 Watt
Schnittstelle	FBAS (NTSC / PAL umschaltbar) herausgeführt auf BNC-stecker
Betriebstemperatur	-30 bis +85°C
Lagertemperatur	-40 bis +85°C
Bedienelemente	Potentiometer für Farbe, Kontrast, Helligkeit
DIL-Schalter	Umschaltung NTSC / PAL



Senkung DIN 74 Am3



Für diese Unterlagen behalten wir uns alle Rechte vor (DIN 34)

R&R GmbH 78148 Gütenbach Tel. 07723 91860		Datum 23.07.2005		Name ps		IM155 7" Videomonitor	
		Gezeichnet					
		Kontrolliert					
		Norm					
						dnr14109	
						1	
						A2	
Status	Änderungen	Datum	Name				